

[www.haybuster.com](http://www.haybuster.com)

107C Seed Drill



Precision Chopping Solutions



3106 Rock-Eze



Balebuster 2574



TUB GRINDERS

Please visit our website at [www.haybuster.com](http://www.haybuster.com) for a complete list of equipment.



**CHOPPING STRAW FOR BEDDING & FEEDING**  
hay, wheat, barley, oilseed rape straw, corn stover

**GRINDING GRAIN** - corn (dry, wet), wheat, barley, oats, triticale ...

Contact details:  
Nick Butze - Director of International Business  
Email: [nickb@chtrade.com](mailto:nickb@chtrade.com)  
Mobile: +1 (218) 530-0202

Take over 40 years of tub grinding experience,  
add customer wants and needs ...what do you get?  
The Haybuster Tub grinder!



# HAYBUSTER®

DuraTech Industries International, Inc (originally Haybuster Manufacturing) was founded in 1966, by Jay Anderson, a farmer who recognized the benefits of chopping hay for his livestock herd. In the early 1970's Haybuster relocated to its current facility in Jamestown, North Dakota (now covering 20 hectares of which 20,000 square meters is under roof) where extra emphasis was placed in expanding the company's product line. During this time, additional hay processing and handling equipment products were developed. Additionally, other agricultural related products were developed by Haybuster, including "direct" seed drills, rock pickers and most recently, a full range of Cut-Mix-Feed (CMF) vertical feed mixers.

Currently, DuraTech Industries markets over 20 products through more than 600 dealers worldwide.



Haybuster equipment is respected in the global market place, offering products which have a reputation for being durable and built to exceed market expectations of high value for dollars spent. These quality-built units offer today's busy operators new and better cost-effective methods for performing their many varied functions.

The history of Haybuster reflects innovation and quality, by listening to our customers wants and needs... our future growth goals are based on these same standards to insure both products and service excellence worldwide.

## THE USE OF HAYBUSTER STRAW CHOPPERS

### Preparing straw and hay for use in feeding dairy cows and beef cattle

- Based on your Nutritionists recommendation, chop hay and straw to the right length of cut for your Total Mixed Ration (TMR).
- Reduce waste by eliminating selective feeding by cattle.
- Prepare TMR's in less time, using less fuel and saving wear on your mixer wagons

### Grinding high moisture corn

- Use your Haybuster tub grinder for grinding high moisture corn and increase milk production
- A selection of sieve-screens allows you to crack or finely grind corn and other grains
- Unlike roller mills, a Haybuster tub grinder can be used year round
- Easy access to the sieve-screens allows you to make changes as grinding conditions change e.g. high moisture corn uses larger screens than dry corn

### Straw bedding for livestock building

- Use your "BigBite" tub grinder for preparing bedding, using large sieve-screens e.g. 127mm or 178mm sieve-screens chopping up to 50 t/hour

### Biomass production

- "Going green?" – Haybuster tub grinders are the choppers of choice when it comes to grinding biomass. Wet straw bales, horse manure, sugar beets etc., the Haybuster "BigBite" gets the job done. With a horsepower rating of up to 300 hp (224 kW) the H-1135 delivers the results that makes "going green" possible.

## CAPACITY AND PRECISION

Experience has proven, dairy cows produce more milk and beef cattle have higher daily gains when grazing short, precision cut forage. Regardless of herd size, Haybuster tub grinders have the capacity and offer the ideal length daily gains when grazing short, precision cut forage. Regardless of herd size, Haybuster tub grinders have the capacity and offer the ideal length of cut to provide maximum productivity.

Haybuster's full range of tub grinders delivers between 5 t/h -50 t/h, thanks to the "BIG BITE" hammermill.

## IMPROVED QUALITY

Bales left out in the field are usually wet, moldy or dusty. Pre-chopped bales removes mold and dust, and improves palatability. Also, eliminates selective sorting by cattle.

Feed mixers are able to mix a guaranteed uniform Total Mixed Ration (TMR) when bales are pre-chopped when using a Haybuster tub grinder.

## VERSATILITY

Hay, straw, high moisture corn, biomass or bedding, Haybuster has the solution. With sieve-screens as small as 3 mm up to 178mm, Haybuster gives the producer full control of the particle size.

Sieve-screens can be changed depending on moisture content of the material and the available horsepower on the tractor's PTO.

## STRENGTH & SERVICE

Built in the USA since 1966, using the highest quality steel and proven components. World wide service and parts available through our extensive network of international business partners. No matter how remote your operation, our dedicated team of professional technicians are available to assist you.

## THE BIG BITE ADVANTAGE



## INCREASED PROFITABILITY

### Why use a Haybuster tub grinder to Pre-chop?

- Feed mixers cost more to run and maintain if you don't pre-chop forage. Haybuster tub grinders will save you money by reducing wear and tear on your feed mixer and reduce the fuel cost of running your feed mixer for 20 - 30 minutes before feeding.
- Vertical mixers do not cut forage to a uniform length.
- Horizontal mixers offer limited or no cutting at all.
- If the operator mixes too long, the forage is often smashed and made too short and eliminates the benefits of the cows rumen lining "scratch" benefits from feeding straw/hay.
- Pre-chopped forage can be measure accurately when mixed with other feed in the TMR. For example you can easily handle and load 300 kg of pre-chopped hay/straw into your mixer as apposed to loading a 300 - 500 kg bale.



[www.haybuster.com](http://www.haybuster.com)



### HAMMERMILL

The **Big Bite** heavy-duty hammermill comes standard in all Haybuster tub grinders. Running speeds of up to 2300 rpm. Depending on the application, fixed or swing hammers are available on select models. Swing hammers have four hardened working edges that can be rotated to provide a new grinding edge. Fixed hammers are used for high moisture forrage and forr chopping biogas material.

Case hardened rods and mill plates hold the hammers in place for a precision chop.

Hammers and sieve-screens can be replaced as tub opens to a full 90° for easy access to the hammermill.

V-belt drive system with spring tension, automatically adjusts for easy operation and maximum performance.

Combined with Electronic Governor System, Haybuster delivers a **Big Bite** for farmers that demand maximum performance and profit.

Belly augers are suspended below the **Big Bite** hammermill and are sealed under the screen area. The large discharge area also provides for higher capacity and reduces the possibility for plugging.

The tub drive has continuous teeth around the tub and dual spring tensioners to keep the chain tight. Power is provided by a single hydraulic motor controlled by the electronic governor.



### MILL GRATE

The heavy-duty bolt-in mill grate is designed to allow the operator the ability to change the number of mill grate bars as grinding conditions change. A geyser plate can be added to prevent product from being tossed straight up and out of the tub.

### GRAIN HOPPER

A grain hopper can be installed over the hammermill which changes the Haybuster tub grinder to a high-capacity grain grinder. By changing to smaller sieve-screens grinding grain to a fine powder or simply cracking the grain. Unlike roller mills, that are typically one used for a few weeks a year, the Haybuster tub grinders can be used year round for chopping hay, straw high moisture grain as well as a biomass.

### PTO SHAFT - 1000 PRM

Tractor half 44.45mm (1-3/4") - 20 spline  
Tractor half 34.93 (1-3/8") - 21 spline

### NEW Walterscheid overrunning clutch available on select models.

### H-1130 ELECTRIC

The H-1130 Electric tub grinder is powered by two electric motors, a 300 hp / 224 kW motor that drives the hammermill and a 10 hp / 7.5 kW motor that drives the hydraulics. A soft start panel provides for "soft" startup for the main drive. Designed for stationary applications and long run times.

### OTHER OPTIONS

- Loose hay guide
- Ear corn kit - better diets for dairy cows - an article from USDA - describes how finely ground grains/corn can offer a better diet to cows.

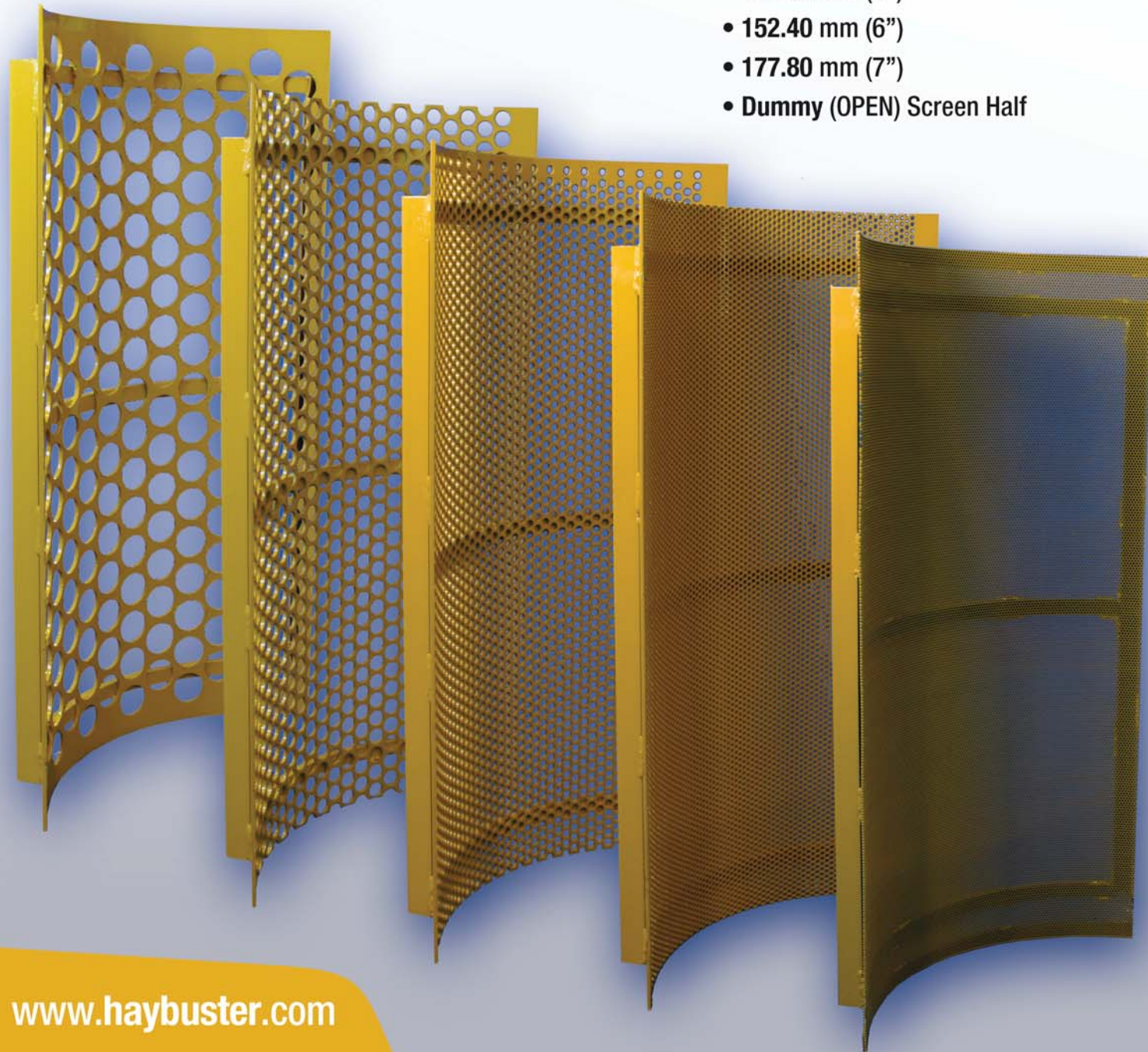


## BIG BITE SIVE-SCREENS

Haybuster offers the largest selection on sivescreens for any application. From as small as 3.18mm up to 178mm, select the sivescreen that delivers the final product that you want.

Sive-Screens can be changed depending on the type of material e.g. hay, straw, high moisture corn etc. Also, depending on the moisture content, smaller or larger sive-screens need to be used. With easy access to the sive-screens, operators can switch them and reduce down time between jobs.

Using two different sive-screens sizes, increases production while delivering the length of cut needed e.g. a 25.40mm and a 38.10mm delivers a short cut (+/- 12-14mm) and allows chopped straw to move away from the hammermill on to the conveyor, faster.



## AVAILABLE SIVE-SCREENS:

- 3.18 mm (1/8")
- 4.76 mm (3/16")
- 6.35 mm (1/4")
- 9.52 mm (3/8")
- 12.70 mm (1/2")
- 15.88 mm (5/8")
- 19.05 mm (3/4")
- 25.40 mm (1")
- 38.10 mm (1-1/2")
- 50.80 mm (2")
- 76.20 mm (3")
- 101.60 mm (4")
- 127.00 mm (5")
- 152.40 mm (6")
- 177.80 mm (7")
- Dummy (OPEN) Screen Half

## PRECISION CONTROL

Haybuster now offer the **NEW Wachendorf Electronic Control Governor** on the H-1030 and H-1135. All other models use a GEM control box.

Tub rotation is automatically controlled using the Electronic Control Governor. When grinding tough bales the tub speed is adjusting or stopping in order to stabilize the engine load. It also controls tub direction, clockwise, stop, and counter-clockwise.



## THE NEW WACHENDORF GOVERNOR

allows contractors to track grinding hours and provide accurate records to their customers.

Indicator allow for regular service intervals based in the number of hours chopped.



POWER ON CONV UP



TUB UP CONV UNFOLD





# TUB GRINDER H-835



### NEW Side discharge conveyor

Convenient and easy to operate. Allows ground material to be stacked neatly ready for use in a TMR. Less dust produced than when using a blower/spout for discharge.

### Larger screen area

Screen area has been increased by 25% over previous model resulting in significantly higher output. Screens can be changed quickly from outside the machine. Range of sieve screens sizes available 10mm to 120mm allowing for very consistent chop length. Option to grind cereals using grain hood.

### NEW V-Tub

NEW "Easy Load" tub design allows faster baled intake. Takes round or square bales easily



### Proven Grind Governing System

The H-835 is fitted with the same proven governor control as fitted on the larger Haybuster machines. Automatically monitors shaft speed and adjusts feed to the mill accordingly. Allows a smoother HP requirement, less wear on drive-line components and lower fuel consumption.



### REQUIREMENTS FOR OPERATION

#### Tractor Horsepower Required

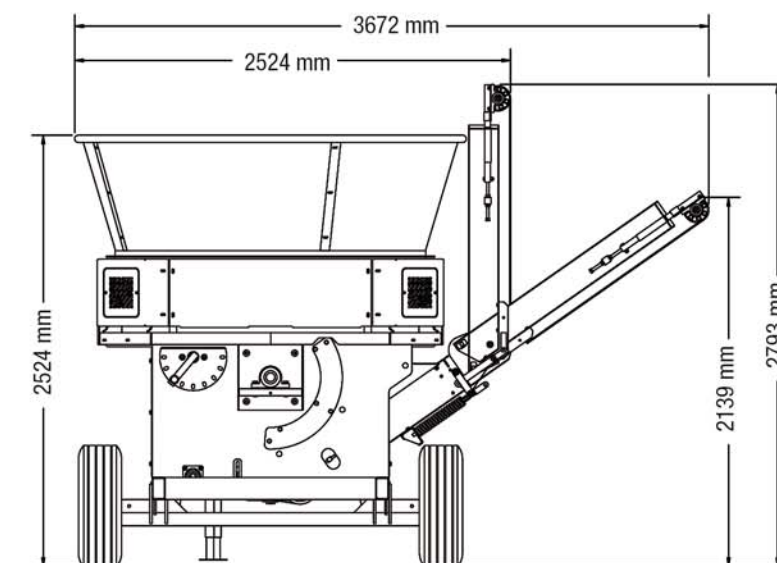
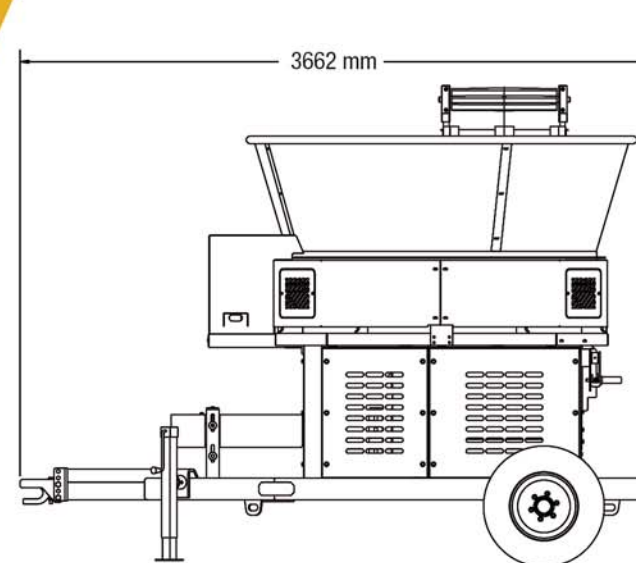
- 75 to 130 (60 kW - 97 kW)

#### PTO Type

- 1,000 RPM, 1 3/8" Dia. shaft with 21 Splines

#### Hydraulic Output

- 30 l/min at 10,345 kPa (8 gpm at 1,500 psi)





# TUB GRINDER H-1000

The H-1000 mid size tub grinder designed for farms with 200 - 2,000 head of cattle that need precision chopped hay/straw. The H-1000 is packed with features you expect from Haybuster.



### Big Bite Hammermill

Equipped with 64 swing hammers and hardened hammer rods. Each hammer is 9.50 mm thick and can be rotated and flipped to extend the life of each hammer. The 8-groove belt system delivers power from the PTO and turns the mill at 2 X PTO speed (2,000 rpm). The high mill speed delivers a smooth feeding and high capacity grinding performance.

### High Capacity Grain Grinder

All Haybuster tub have the added benefit of being able to grind high moisture corn. By placing the optional grain-grinding hopper over the hammer-mill opening and changing sieve screens, the H-1000 becomes a high capacity grain grinder that can be used all year round. By switching the sieve screens the producer can go from simply cracking the corn for beef cattle to grinding fines for dairy cattle.



### Electronic Governor

Tub rotation is controlled by an electronic governor that stabilizes engine load by adjusting the tub speed based on the rotor speed. It also controls tub direction and tub stop.



NEW features include a 6 m long hydraulic folding stacking conveyor that allows you to stack material up to 8.5 m high. The tub of the H-1000 now comes equipped with a continuous sprocket that provides a positive smooth transition of power to the tub.



The H-1000 tub can accommodate large round and square bales thanks to the 3 m wide tub width which is over 1.13 m deep.

### REQUIREMENTS FOR OPERATION

#### Tractor Horsepower Required

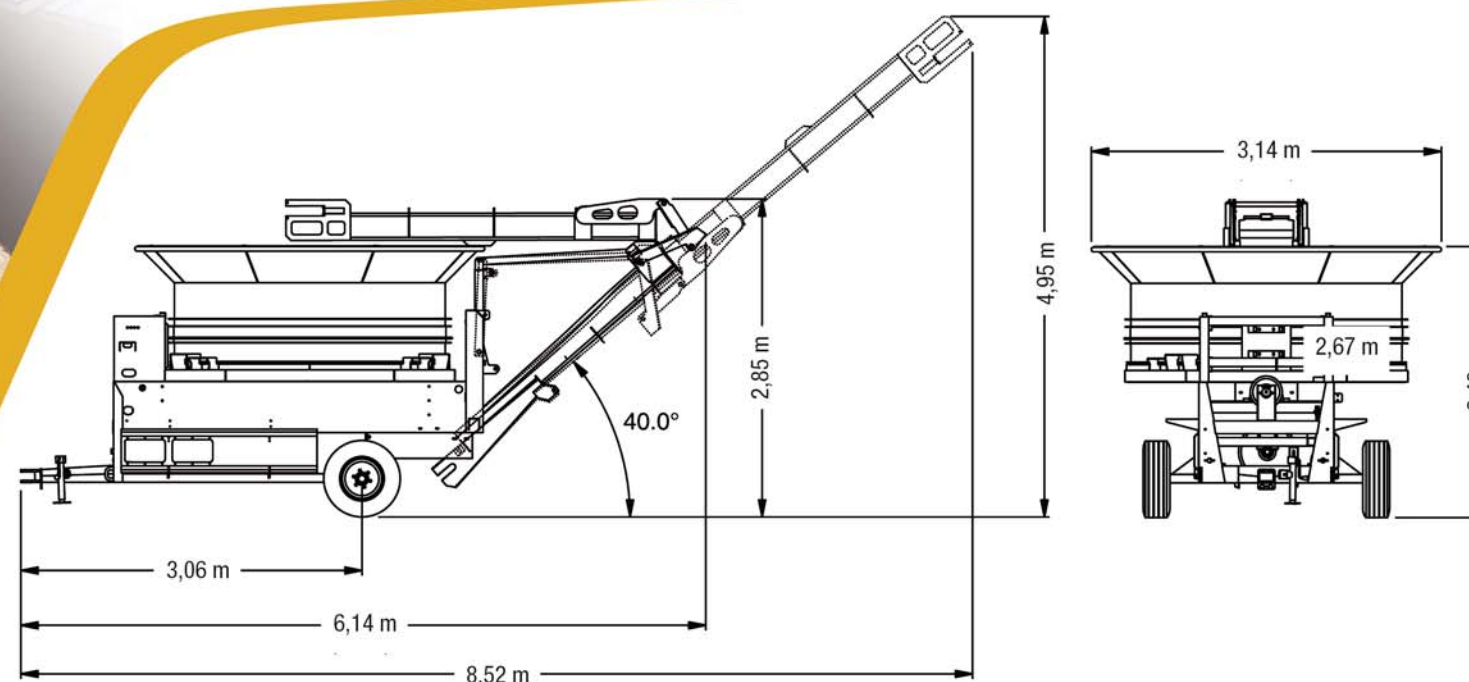
- 80 - 175 (60 kW - 130 kW)

#### PTO Type

- 1-3/4" Dia. shaft with 20 splines OR 1-3/8" Dia. with 21 splines

#### Hydraulic Output

- 30 l/min at 10,345 kPa (8 gpm at 1,500 psi)





# TUB GRINDER H-1030 "CONTRACTOR"



### Big Bite Hammermill

The 1.12 m long heavy duty hammer mill has been positioned to the rear of the tub. With the mill in the back, the chopped hay/straw can quickly be discharged and transferred to the 6.40 m long staking conveyor. The 64 hammers that can rotated and flipped for many hours of grinding. Combined with the heavy duty bolt-in mill grate, designed to allow the operator the ability to change the number of mill grate bars as grinding conditions change, the H-1030 is the perfect machine for contractors.

### Self Tensioning Drive Line

The 8 multiple belt drive system has been designed to handle increased horsepower, up to 315 hp (235 kW). The spring tension belt drive system allows for constant belt tension while belts stretch and wear without having to manually adjust. With full access to the drive line from front to back, the H-1130 "Contractor" is the only grinder on the market that is easy to operate and maintain.

### Dual Augers and Tilting Tub

The H-1030's dual augers (1.22 m) allows chopped hay/straw to flow freely to the stacking conveyor. Expanding the discharge are allows for higher capacity and reduces the possibility of plugging. Combined with the tilting tub that opens a full 90° for switching out sieve screens, the H-1030 is the most versatile tub grinder. With full access to the drive line, hammermill and dual augers, maintenance and cleaning is quick and easy. These features make the H-1130 the tub grinder of choice for contractors.

### Electronic Governor

On the H-1030, the tub rotation feeds the hammermill using a Wachendorf Electronic Control Governor, which stabilizes engine load by adjusting or stopping the tub speed. It also control s tub direction, clockwise, stop and counterclockwise rotation. Contractors can also track grinding hours for each customer. Combined with a NEW remote control, that allows contractors to fold the stacking conveyor, open and control.



### EU Homologation

Fully homologated EU option available. Includes TÜF approved road kit with air brakes, parking brake, lighting system, Walterscheid PTO shaft and optional overrunning clutch. With our new European built axle, wheels and tires, the H-1030 "Contractor" is ready to hit the road and chop the competition.

### REQUIREMENTS FOR OPERATION

#### Tractor Horsepower Required

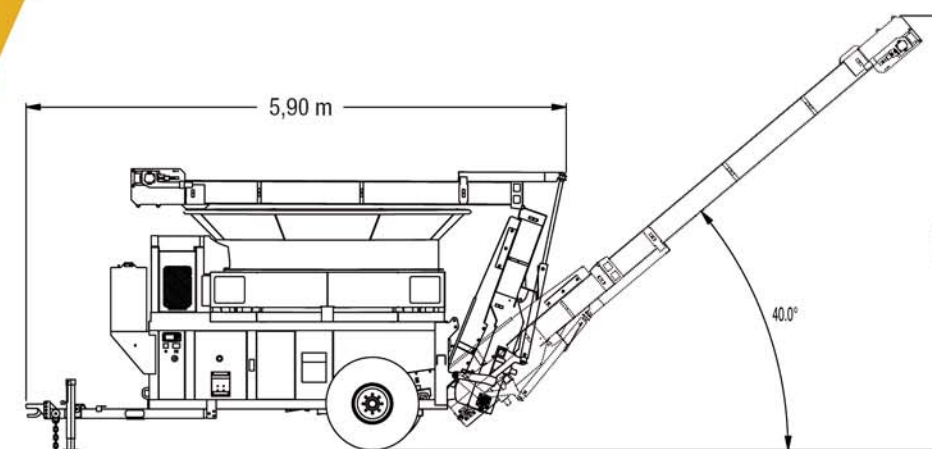
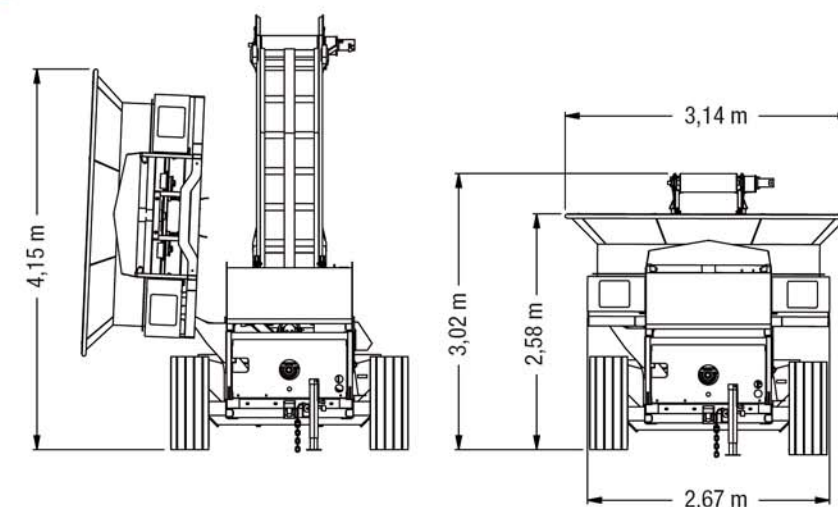
- 150 - 315 (120 kW - 235 kW)

#### PTO Type

- Dia. shaft with 20 splines OR 1-3/8" Dia. with 21 splines

#### Hydraulic Output

- 30 l/min at 10,345 kPa (8 gpm at 1,500 psi)





# TUB GRINDER H-1135 "DOMINATOR"

**For those that demand a BIG, STONG, HIGH CAPACITY tub grinder, the H-1135 "Dominador" delivers!**

Designed with all the features of the H-1030 only bigger.

- Big Bite hammermill 1.27 m long
- 88 swing hammers
- 12.7 mm thick hammers
- 2,140 rpm operating speed for increased production
- Dual auger system
- Bigger tub, 1.27 m deep, 3.43 m wide
- Larger feed opening 71 cm X 132 cm
- Longer discharge conveyor 7.93 m, 61 cm wide
- 200 hp (149 kW) up to 315 hp (235 kW) on PTO

The H-1135 "Dominador" takes round and square hay/straw bales with ease.



## REQUIREMENTS FOR OPERATION

### Tractor Horsepower Required

- 200 - 315 (150 kW - 235 kW)

### PTO Type

- Dia. shaft with 20 splines OR 1-3/8" Dia. with 21 splines

### Hydraulic Output

- 30 l/min at 10,345 kPa (8 gpm at 1,500 psi)



# ELECTRIC TUB GRINDER H-1135 E

The H-1135 E has all the features if the PTO driven H-1135 "Dominador". Powered by two electric motors, a 300 hp (224 kW) motor that drives the hammermill and a 10 hp (7.5 kW) motor that powers the hydraulics

A soft start panel provides a "soft" startup for the main drive 300 hp motor. Electric motors are available in 460 volt - 60 Hz, 380 volt - 50 Hz, 380 volt - 60 Hz and 575 volt - 60 Hz

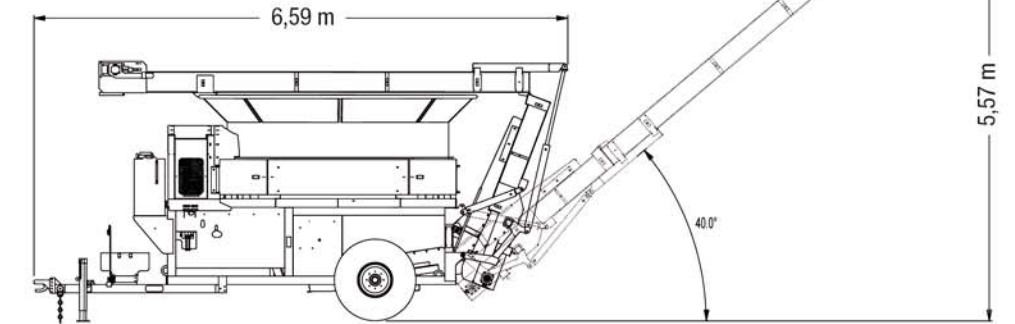
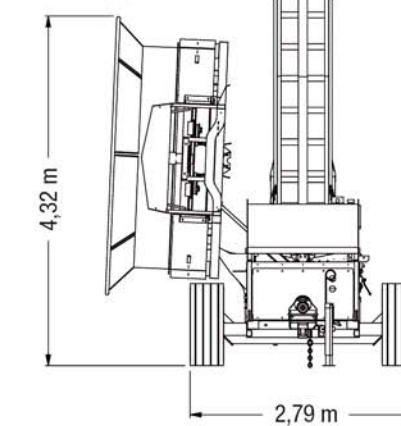


Free standing control panel to prevent vibration and dust

Separate cooling system for hydraulics

Designed for grinding hay/straw for top to 12 hours a day

## H-1135



## H-1135 E

