

Range of Telehandlers

**STORTI**

37.7 TC | 37.7 TA  
37.8 TC | 37.8 TA

AgriStar



# Agri Star 37.7 | 37.8 | TA | TC

PERFORMANCES	37.7	37.8
Maximum capacity	3.700 kg	
Capacity at maximum height on tyres	3.500 kg	2.800 kg
Capacity at maximum boom extension on tyres	1.100 kg	
Maximum lifting height on tyres	7,35 m	7,93 m
Maximum horizontal boom extension	4,00 m	4,60 m
Boom extension at maximum height	0,20 m	0,35 m
Fork tilting angle	130°	
Tearing force	5.700 daN	
Towing force	7.300 daN	
Maximum allowable slope	40%	
Total empty weight	7.200 kg	7.850 kg
Max speed	30 km/h (on request 40 km/h with TC and TA engine)	

TRANSMISSION	
Transmission	hydrostatic with variable delivery pump
Hydraulic engine	with automatic adjustment
Reversing gear	electro - hydraulic
Inching pedal for controlled forward movement	
Servocontrolled 2 speed gearbox	

HYDRAULIC SYSTEM	
Gear pump with capacity at max speed	100 lt/1'
Max working pressure	230 bar
Control valve with joystick	3 in 1

DIFFERENTIAL AXLES	
Steering axles	2, with planetary reduction gears
Types of steering	4 wheels / transversal / 2 wheels
Front axle	rigid (levelling on request)
Rear axle	oscillating
Service brake	oli bath on the front axle with servo-brake
Parking brake	negative

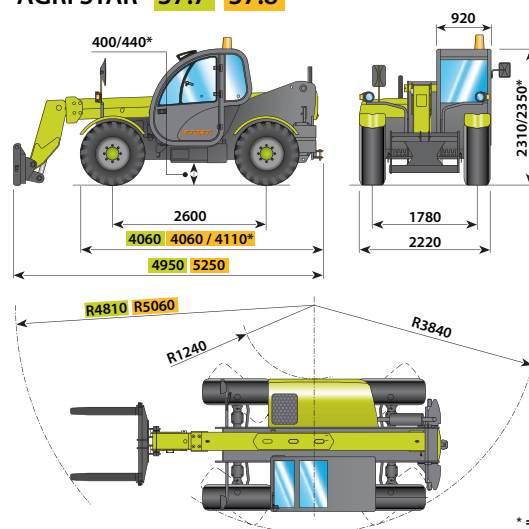
ENGINE	37.7 - 37.8 TC	37.7 - 37.8 TA
Model	MOTORE IVECO NEF F4GE0454A - TC - 74 kW	MOTORE IVECO NEF F4GE0484C - TA - 94 kW
Maximum power	74 kW (102 hp) at 2.300 rpm	94 kW (128 hp) at 2.300 rpm
Operating principle	four-stroke diesel engine	
Cylinder number and layout	4, vertical in line	
Displacement	4485 cm <sup>3</sup> Turbo compressor	4485 cm <sup>3</sup> Turbo compressor aftercooler
Cooling system	liquid	

REFUELLING (litre)	
Hydraulic tank	140
Fuel tank	95

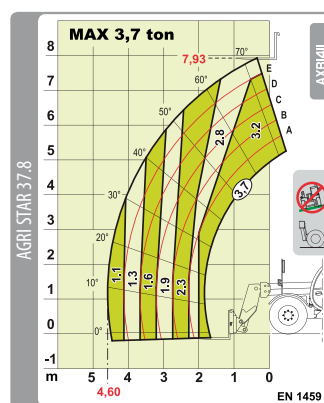
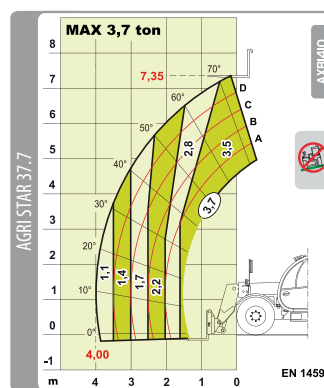
STANDARD DEVICES	
Anti-tipping device with block for hazardous movements	
Hydraulic socket for possible accessories on boom head	
Closed soundproof ROPS-FOPS approved driver's cab, with heating	
Self-locking differential on front axle (limited slip 45%)	

TYRES	16/70 x 20" alternative 16/70 x 24"
-------	--

## AGRI STAR 37.7 37.8



\* = ruota 24"



TOWING CAPACITY (on request)	TC engine	TA engine
Unbraked trailer	3 ton	
Mechanical braking	5 ton	
Hydraulic/pneumatic brake	17.5 ton	20 ton
Speed included	40 km/h	

## STORTI INTERNATIONAL S.p.A.

37050 Belfiore (VR) ITALY - Via Castelletto, 10 - Tel. +39 0456 134 311 Fax +39 0456 149 006 - info@storti.com

Range of Telehandlers

**STORTI**

35.10 TC | 35.10 TA  
38.10 TC | 38.10 TA

AgriStar



# Agri Star 35.10 | 38.10 | TA | TC

PERFORMANCES	35.10	38.10
Maximum capacity	3.500 kg	3.800 kg
Capacity at maximum height on tyres	2.200 kg	
Capacity at maximum boom extension on tyres	400 kg	450 kg
Maximum lifting height on tyres	9,75 m	
Maximum horizontal boom extension	6,50 m	6,45 m
Boom extension at maximum height	0,84 m	
Fork tilting angle	130°	
Tearing force	5.700 daN	
Towing force	7.300 daN	
Maximum allowable slope	40%	
Total empty weight	7.600 kg	7.800 kg
Max speed	30 km/h (on request 40 km/h with TC and TA engine)	

TRANSMISSION	
Transmission	hydrostatic with variable delivery pump
Hydraulic engine	with automatic adjustment
Reversing gear	electro - hydraulic

Inching pedal for controlled forward movement  
 Servocontrolled 2 speed gearbox

HYDRAULIC SYSTEM	
Gear pump with capacity at max speed	100 lt/1'
Max working pressure	230 bar
Control valve with joystick	3 in 1

DIFFERENTIAL AXLES	
Steering axles	2, with planetary reduction gears
Types of steering	4 wheels / transversal / 2 wheels
Front axle	rigid (levelling on request)
Rear axle	oscillating
Service brake	oli bath on the front axle with servo-brake
Parking brake	negative

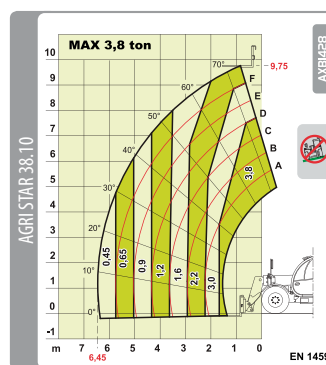
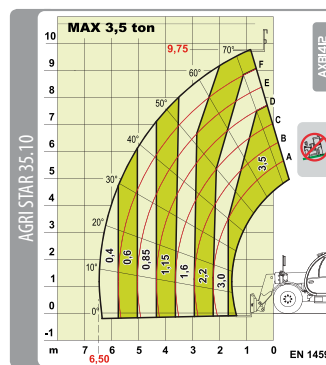
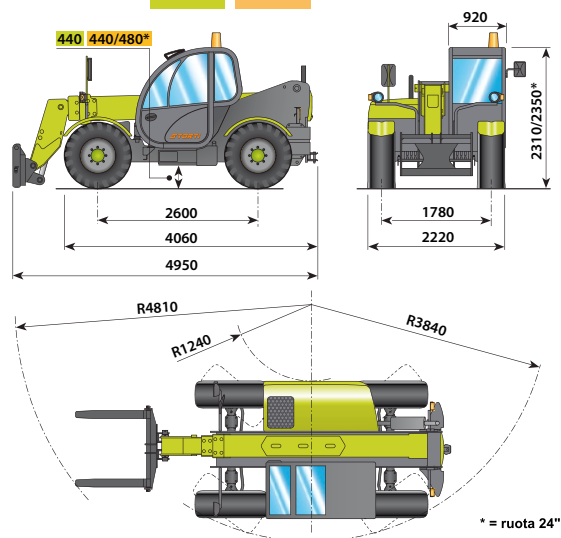
ENGINE	35.10 - 38.10 TC	35.10 - 38.10 TA
Model	MOTORE IVECO NEF F4GE0454A - TC - 74 kW	MOTORE IVECO NEF F4GE0484C - TA - 94 kW
Maximum power	74 kW (102 hp) at 2.300 rpm	94 kW (128 hp) at 2.300 rpm
Operating principle	four-stroke diesel engine	
Cylinder number and layout	4, vertical in line	
Displacement	4485 cm <sup>3</sup> Turbo compressor	4485 cm <sup>3</sup> Turbo compressor aftercooler
Cooling system	liquid	

REFUELLING (litre)	
Hydraulic tank	140
Fuel tank	95

STANDARD DEVICES	
Anti-tipping device with block for hazardous movements	
Hydraulic socket for possible accessories on boom head	
Closed soundproof ROPS-FOPS approved driver's cab, with heating	
Self-locking differential on front axle (limited slip 45%)	

TYRES	16/70 x 20" alternative 16/70 x 24"
-------	--

## AGRI STAR 35.10 38.10



TOWING CAPACITY (on request)	TC engine	TA engine
Unbraked trailer	3 ton	
Mechanical braking	5 ton	
Hydraulic/pneumatic brake	17.5 ton	20 ton
Speed included	40 km/h	

Vers. 1008 GB • Technical data and images are guideline only. In the effort to provide products that constantly meet client requirements, Storti International S.p.A. reserves the right to apply updates at any time and without notice.

## STORTI INTERNATIONAL S.p.A.

37050 Belfiore (VR) ITALY - Via Castelletto, 10 - Tel. +39 0456 134 311 Fax +39 0456 149 006 - info@storti.com