

Range of Telehandlers

STORTI

26.6 TC | 28.7 TC | 28.9 TC

AgriFarmer



Agri Farmer 26.6 | 28.7 | 28.9 | TC

PERFORMANCES	26.6	28.7	28.9
Maximum capacity	2.600 kg	2.800 kg	
Capacity at maximum height on tyres	2.600 kg	2.000 kg	1.200 kg
Capacity at maximum boom extension on tyres	900 kg	700 kg	350 kg
Maximum lifting height on tyres	5,95 m	6,35 m	8,70 m
Maximum horizontal boom extension	3,35 m	3,65 m	5,70 m
Boom extension at maximum height	0,66 m	0,80 m	
Fork tilting angle	134°	130°	
Tearing force	5.700 daN		
Towing force	7.300 daN		
Maximum allowable slope	40%		
Total empty weight	5.800 kg	6.000 kg	6.150 kg
Max speed	35 km/h		

TRANSMISSION

Transmission	hydrostatic with variable delivery pump
Hydraulic engine	with automatic adjustment
Reversing gear	electro - hydraulic

Inching pedal for controlled forward movement

Servocontrolled 2 speed gearbox

HYDRAULIC SYSTEM

Gear pump with capacity at max speed	88 lt/1'
Max working pressure	230 bar
Control valve with joystick	3 in 1

DIFFERENTIAL AXLES

Steering axles	2, with 4 planetary reduction gears
Types of steering	4 wheels / transversal / 2 wheels
Front axle	rigid
Rear axle	oscillating
Service brake	oil bath on the front axle
Parking brake	negative

ENGINE

Model	MOTORE IVECO NEF F4GE0454A - TC - 74 kW
Maximum power	74 kW (102 hp) at 2.300 rpm
Operating principle	four-stroke diesel engine
Cylinder number and layout	4, vertical in line
Displacement	4485 cm ³ - Turbo compressor
Cooling system	liquid

REFUELLING (litre)

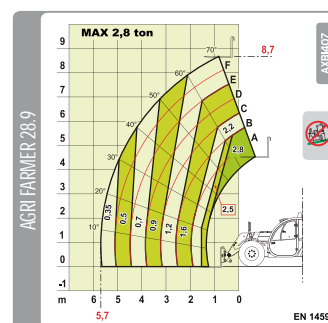
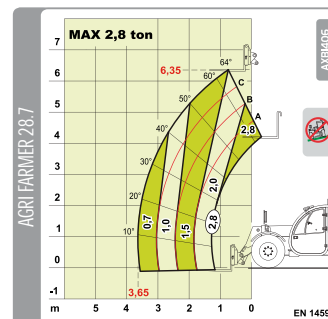
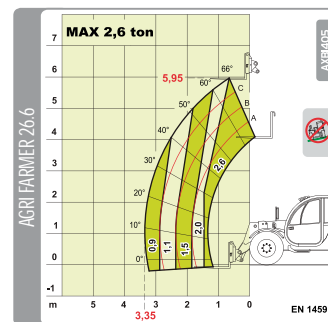
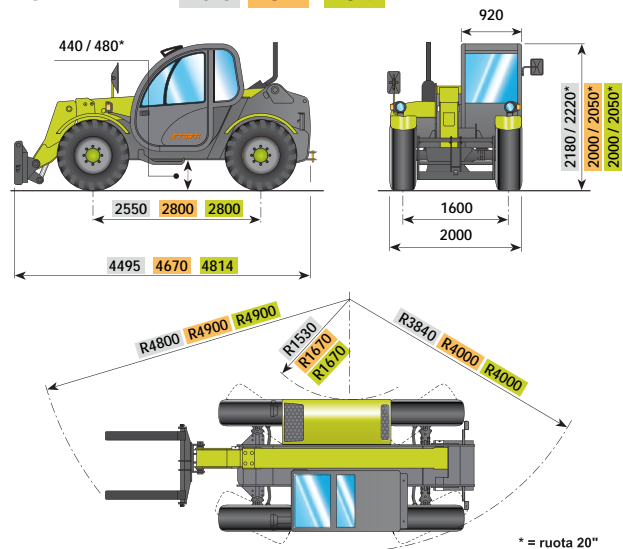
Hydraulic tank	130
Fuel tank	60

STANDARD DEVICES

Anti-tipping device with block for hazardous movements
Hydraulic socket for possible accessories on boom head
Closed soundproof ROPS-FOPS approved driver's cab, with heating
Self-locking differential on front axle (limited slip 45%)

TYRES	12.5 x 18" alternative 16/70 x 20"
-------	---------------------------------------

AGRI FARMER 26.6 28.7 28.9



TOWING CAPACITY (on request)

Unbraked trailer	3 ton
Mechanical braking	5 ton
Hydraulic/pneumatic brake	17.5 ton
20" Tyres included	

Agri Farmer 30.7 | 30.9 | TC

PERFORMANCES	30.7	30.9
Maximum capacity	3.000 kg	
Capacity at maximum height on tyres	2.000 kg	1.200 kg
Capacity at maximum boom extension on tyres	700 kg	350 kg
Maximum lifting height on tyres	6,35 m	8,70 m
Maximum horizontal boom extension	3,65 m	5,70 m
Boom extension at maximum height	0,80 m	
Fork tilting angle	130°	
Tearing force	5.700 daN	
Towing force	7.300 daN	
Maximum allowable slope	40%	
Total empty weight	6.000 kg	6.150 kg
Max speed	35 km/h	

TRANSMISSION	
Transmission	hydrostatic with variable delivery pump
Hydraulic engine	with automatic adjustment
Reversing gear	electro - hydraulic
Inching pedal for controlled forward movement	
Servocontrolled 2 speed gearbox	

HYDRAULIC SYSTEM	
Gear pump with capacity at max speed	88 lt/1'
Max working pressure	230 bar
Control valve with joystick	3 in 1

DIFFERENTIAL AXLES	
Steering axles	2, with planetary reduction gears
Types of steering	4 wheels / transversal / 2 wheels
Front axle	rigid
Rear axle	oscillating
Service brake	oil bath on the front axle
Parking brake	negative

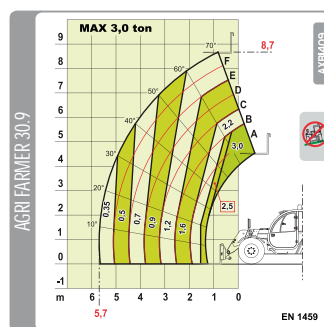
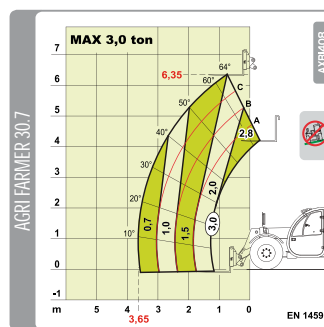
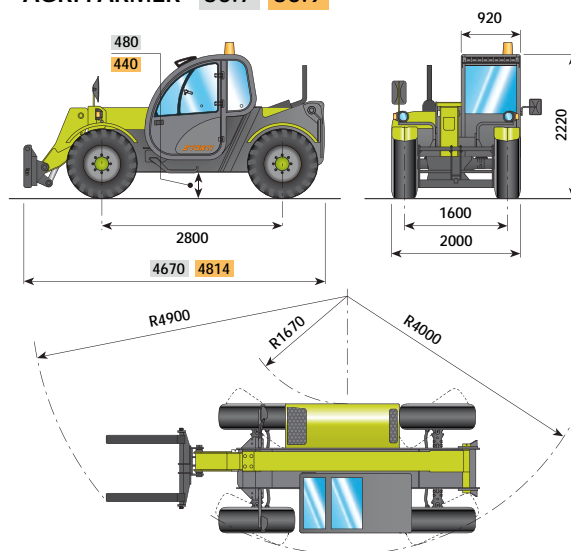
ENGINE	
Model	MOTORE IVECO NEF F4GE0454A - TC - 74 kW
Maximum power	74 kW (102 hp) at 2.300 rpm
Operating principle	four-stroke diesel engine
Cylinder number and layout	4, vertical in line
Displacement	4485 cm ³ - Turbo compressor
Cooling system	liquid

REFUELLING (litre)	
Hydraulic tank	130
Fuel tank	60

STANDARD DEVICES	
Anti-tipping device with block for hazardous movements	
Hydraulic socket for possible accessories on boom head	
Closed soundproof ROPS-FOPS approved driver's cab, with heating	
Self-locking differential on front axle (limited slip 45%)	

TYRES	16/70 x 20"
-------	-------------

AGRI FARMER 30.7 30.9



TOWING CAPACITY (on request)	
Unbraked trailer	3 ton
Mechanical braking	5 ton
Hydraulic/pneumatic brake	17 ton

STORTI INTERNATIONAL S.p.A.

37050 Belfiore (VR) ITALY - Via Castelletto, 10 - Tel. +39 0456 134 311 Fax +39 0456 149 006 - info@storti.com