

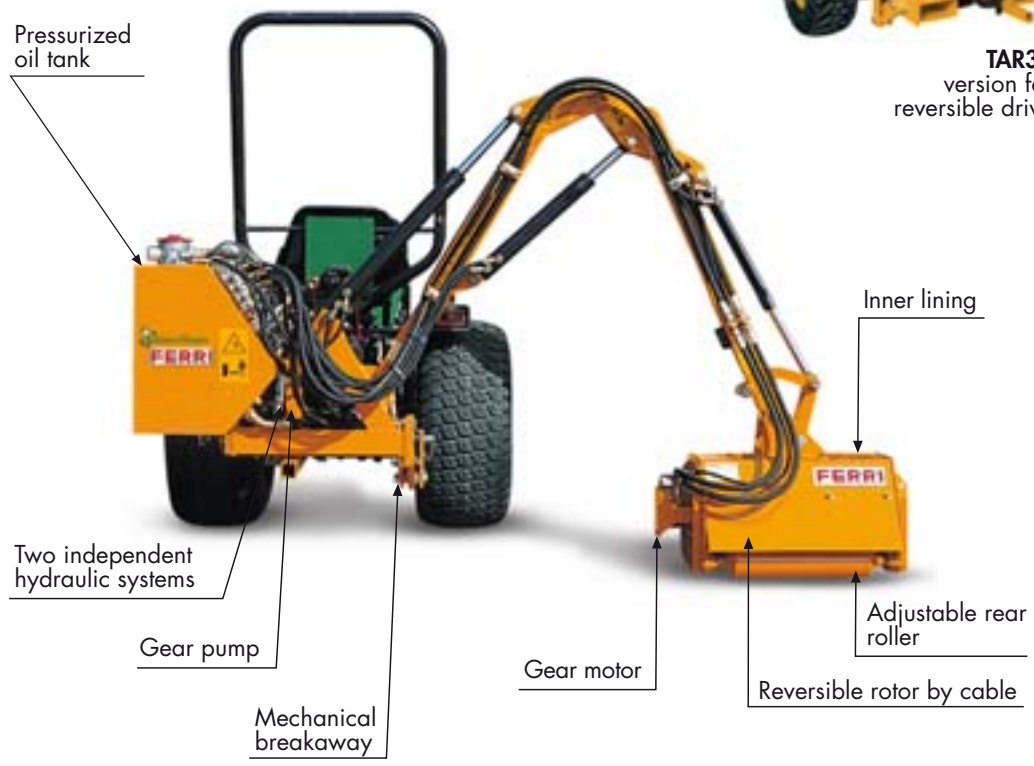


TA

HYDRAULIC REACH MOWERS



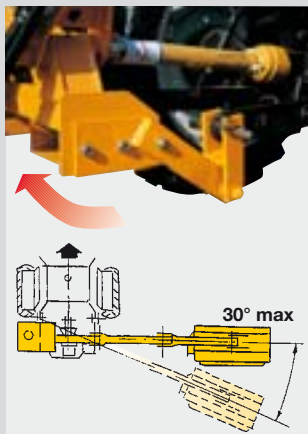
TAR32
version for reversible drive



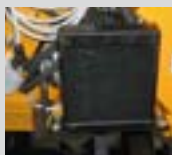
Floating head system



Adjustable rear roller



Mechanical breakaway



Oil cooler with thermostat (option only for TA32 and TAR32)



Cable controls



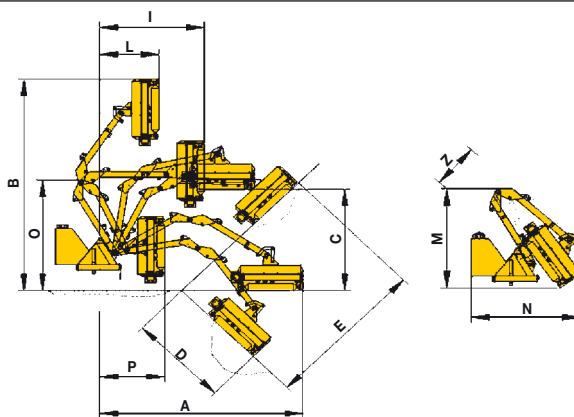
Monolever electric control



HP Tractor	20	25	30	35	40	Min. tractor weight Kg	Min. tractor width m
TA26						700	1,00
TA32						900	1,20

Working positions (m)

		TA26	TA32
A	m	2,70	3,24
B	m	3,10	3,63
C	m	1,50	2,10
D	m	1,40	1,86
E	m	2,20	2,78
I	m	1,40	1,57
L	m	0,80	0,86
M	m	1,40	1,70
N	m	1,40	1,38
O	m	1,60	1,95
P	m	0,87	0,86
Z	m	0,65	0,65



Technical data

Model	Max horizontal reach*	Weight	Articulated "Y" blades	Oil	Rotor	P.t.o. MAX rpm	Flail head angle
	m	Kg	n.	l	rpm		
TA26	2,70	258	40	47	3.000	540	190°
TA32 - TAR32	3,24	330	40	58	3.000	540	190°

* Reach measured from tractor centre line to head edge.

Machines with cable controls "Classic"

Model

TA26 Classic with TME80 flail head m 0,80

TA32 Classic with TME80 flail head m 0,80

Version for tractors with reversible drive

TAR32 Classic with TME80 flail head m 0,80

Machines with electric controls "Electra"

Model

TA26 Electra with TME80 flail head m 0,80

TA32 Electra with TME80 flail head m 0,80

Version for tractors with reversible drive

TAR32 Electra with TME80 flail head m 0,80

Option

Stabilizers to the tractor for TA32-TAR32 (code TD36float01)

"Delta yoke" for stabilizer for TA32-TAR32 (code TD3703)

Stabilizer for "Delta yoke" for TA32-TAR32 (code TD3704)

Oil cooler with thermostat for TA32 (code TD3213) and for TAR32 (code TD3213SX)

Flail head

	TME80
Width (m)	0,80
Rotor speed (rpm)	3000
Blade tip speed (m/sec)	48
Flail head angle	190°
Weight (kg)	80

TME80
Direct drive



Flails

TME80

Articulated "Y" flails
for: grass, bushes
Ø max 2 cm



Code 0901133

n° 40

Features:

- Flail head
- Totally independent hydraulic (gear pump and motor)
- FLOATING head system
- Reversible rotor by cable
- Mechanical breakaway
- Gearbox and pumps directly connected to pto for TA26
- Front and rear abrasion resistant guard for flail head
- Pto shaft for TA32 and TAR32
- Oil

